



Graver Technologies

Filtration | Separation | Purification

## SHP™ Series Sanitary Filter Housings

### High-Purity Sanitary Housings

The SHP Series of sanitary housings are engineered using 3A sanitary standards for filtration applications involving ultrapure chemical systems, ultrapure water or critical process streams requiring sanitary production stream. These rugged vessels are constructed entirely of 316L stainless steel to optimize corrosion resistance. Design characteristics minimize hold-up volumes, provide for easy draining and optimized cleanability. Available as "T" style or inline (one round only).

### Housing Features-Benefits

- Constructed of 316L stainless steel  
Maximum corrosion resistance and purity
- Meets 3A Sanitary Design Standards
- Unique bolt-down design on multi-round  
Simple, convenient and assures seal integrity
- Easy draining  
Tapered bottom permits complete draining
- Available in one round to 7 round, from 10" to 40" high  
Accommodates industry standard 222 and 226 cartridge configurations

### Housing Specifications

#### Materials:

316L Stainless Steel

EPDM O-ring (other options available)

#### Filter Connections:

226, 222

#### Sizes:

1, 3, 5, 7 Round: 10", 20", 30", 40"

#### Closure:

304 SS Clamp (1 round only), Opti-Clamp Bolt down

#### Maximum Pressure Rating:

1 Round: 125psi @ 200°F (8.6 bar @ 93°C)

3 - 7 Round: 125psi @ 200°F (8.6 bar @ 93°C)

#### Surface Finish:

External surfaces: 20 RA, Electropolished

Internal surfaces: 20 RA, Electropolished

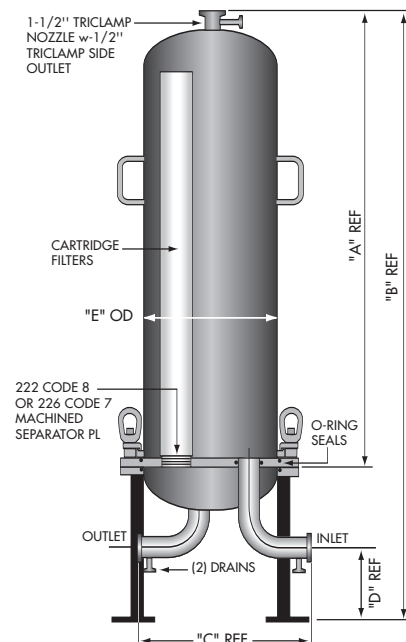
### Applications

- Ultrapure Chemicals
- Wine/Beer
- Diagnostics
- Ultrapure Water
- Vaccines



SHP Series Sanitary Filter Housings

### SHP SERIES SANITARY FILTER HOUSINGS



## SHP Series Sanitary Filter Housings Dimensional Data

Model	Vent/Drain	Inlet/Outlet	A	B	C	D	E
<b>1SHP-1*</b>	1/2" TC/1.4"	1.0" Triclamp	13.75"	22.0"	9.75"	6.0"	4.0"
<b>1SHP-2*</b>	1/2" TC/1.4"	1.0" Triclamp	23.75"	32.0"	9.75"	6.0"	4.0"
<b>1SHP-3*</b>	1/2" TC/1.4"	1.0" Triclamp	33.75"	42.0"	9.75"	6.0"	4.0"
<b>1SHP-L1*</b>	1/2" TC/1.4"	1.5" Triclamp	13.75"	19.5"	NA	NA	4.0"
<b>1SHP-L2*</b>	1/2" TC/1.4"	1.5" Triclamp	23.75"	29.5"	NA	NA	4.0"
<b>1SHP-L3*</b>	1/2" TC/1.4"	1.5" Triclamp	33.75"	39.5"	NA	NA	4.0"
<b>3SHP-1</b>	1/2" TC/1.4"	2" Triclamp	15.90"	28.50"	13.55"	6.0"	6.6"
<b>3SHP-2</b>	1/2" TC/1.4"	2" Triclamp	25.90"	38.50"	13.55"	6.0"	6.6"
<b>3SHP-3</b>	1/2" TC/1.4"	2" Triclamp	35.90"	48.50"	13.55"	6.0"	6.6"
<b>3SHP-4</b>	1/2" TC/1.4"	2" Triclamp	45.90"	58.50"	13.55"	6.0"	6.6"
<b>5SHP-1</b>	1/2" TC/1.4"	2" Triclamp	15.65"	28.25"	14.38"	6.0"	10.75
<b>5SHP-2</b>	1/2" TC/1.4"	2" Triclamp	25.65"	38.25"	14.38"	6.0"	10.75
<b>5SHP-3</b>	1/2" TC/1.4"	2" Triclamp	35.65"	48.25"	14.38"	6.0"	10.75
<b>5SHP-4</b>	1/2" TC/1.4"	2" Triclamp	45.65"	58.25"	14.38"	6.0"	10.75
<b>7SHP-1</b>	1/2" TC/1.4"	2" Triclamp	15.65"	28.25"	14.38"	6.0"	10.75
<b>7SHP-2</b>	1/2" TC/1.4"	2" Triclamp	25.65"	38.25"	14.38"	6.0"	10.75
<b>7SHP-3</b>	1/2" TC/1.4"	2" Triclamp	35.65"	48.25"	14.38"	6.0"	10.75
<b>7SHP-4</b>	1/2" TC/1.4"	2" Triclamp	45.65"	28.25"	14.38"	6.0"	10.75

## SHP Series Nomenclature Information

5SHP	3	-222	-TC	-TC	-2	-E	-EP
Model	Cartridge Height 10" lengths	Cartridge Connection	Vent/Drain	Inlet/Outlet	Inlet/Outlet Size	Gasket	Options
1SHP	1	222	TC=Tri Clamp	TC=Tri Clamp	1 = 1 Inches 1.5 = 1.5 Inches 2 = 2 Inches	E - EPDM S - Silicone T - Teflon encap Viton V - Viton	EP = Electro polish
1SHP-L Inline	2	226					
3SHP	3						
5SHP	4						
7SHP							

Example: 5SHP3-222-TC-TC-2-E-EP

### For more information

Graver Technologies Customer Service: **1-888-353-0303**

Technical Support: **1-800-510-0932**

E-mail us at [info@gravertech.com](mailto:info@gravertech.com)

All information and recommendations appearing in this bulletin concerning the use of products described herein are based on tests believed to be reliable. However, it is the user's responsibility to determine the suitability for his own use of such products. Since the actual use by others is beyond our control, no guarantee, expressed or implied, is made by Graver Technologies as to the effects of such use or the results to be obtained. Graver Technologies assumes no liability arising out of the use by others of such products. Nor is the information herein to be construed as absolutely complete, since additional information may be necessary or desirable when particular or exceptional conditions or circumstances exist or because of applicable laws or government regulations.

SHP is a trademark of Graver Technologies, LLC.

DISTRIBUTED BY:



**Graver Technologies**

200 Lake Drive  
Glasgow,  
DE 19702 U.S.A.

302-731-1700  
800-249-1990  
Fax: 302-369-0938

e-mail: [info@gravertech.com](mailto:info@gravertech.com)  
web site: [www.gravertech.com](http://www.gravertech.com)

